



CoolVent 酷温特

- Evaporative Air Cooler
- Industrial Air Cooler
- Desert Cooler
- Climatizador Evaporativo

专业通风降温设备生产商

- 环保空调、冷风机 • 湿帘与框架 • 工业大风扇 • 消毒净化



KCOOLVENT AIR TREATMENT EQUIPMENT CO., LTD.

佛山市酷温特空气处理设备有限公司

佛山市科致纳环保设备有限公司

地址：广东省佛山市顺德区北滘镇马龙大道现龙工业区西一路3号
 Add: No.3 Xiyi Road, Xianlong Industrial Zone, Beijiao, Shunde, Foshan,
 Guangdong Province, China. Postcode: 528311

Tel: +86-(757)-2632 0960 Mobile: +86-13711015862

Fax: +86-(757)26328162

E-mail: info@kcoolvent.com

http://kcoolvent.com



KCOOLVENT AIR TREATMENT EQUIPMENT CO., LTD.
佛山市酷温特空气处理设备有限公司



SCF-25BS

Model: SCF-25DS
Max air airflow: 25000m³/h
Power/Current: 1.5kw/4.1Amp
Voltage/Frequency: 380-415V/50-60Hz
Fan style: Nylon 9-blade/Axial-flow
Wind speed: 1-High
Control type: Remote control/LCD panel control
Noise level: ≤72dB(A)
Water consumption: 10-15L/h
Net Weight: 78KG
Product size: 1030*1030*1100mm

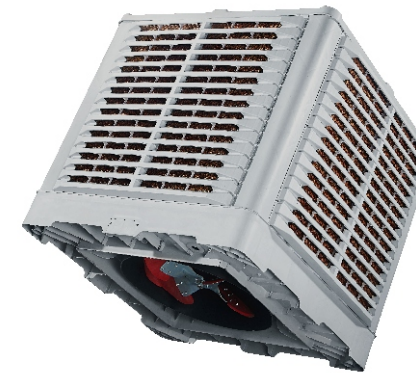


SCF-25AS



SCF-25DS

- Water shortage protection & alarm
- Full metal stainless steel#304 housing
- Aluminum frame for cooling pad with steel filters
- Auto-protetive device
- Steel in 0.8-1.2mm thick
- Motor class grade F,IP64,Copper wire motor
- Temperature&humidity sensor device optional



SCF-30D

Model: SCF-30D
Max air airflow: 30000m³/h
Power/Current: 2.2kw/5.8Amp
Voltage/Frequency: 380-415V/50-60Hz
Fan style: Nylon 4-blade/Axial-flow
Wind speed: 1-High
Control type: Remote control/LCD panel
Noise level: ≤72dB(A)
Water consumption: 25-30L/h
Net Weight: 90KG
Product size: 1250*1250*1200mm



SCF-30D/BP



SCF-50B

- Water shortage protection & alarm
- Plastic cooling pad frame with dust filters and cooling pads-5090
- Efficient fan motor
- Auto-protetive device
- Balanced heavy-duty fan blade
- Temperature&humidity sensor device optional



SCF-23D



SCF-23A



SCF-23B

Model: SCF-23D/SCF-23A/SCF-23B
Max air airflow: 23000m³/h
Power/Current: 1.3kw/3.1Amp
Voltage/Frequency: 380-415V/50-60Hz
Fan style: Nylon 9-blade/Axial-flow
Wind speed: 1-High
Control type: Remote control/LCD panel
Noise level: ≤70dB(A)
Water consumption: 10-15L/h
Net Weight: 60KG
Product size: 1080*1080*980mm



- Water shortage protection & alarm
- Plastic cooling pad frame with dust filters and cooling pads-5090
- Motor class grade F, IP64, Copper wire motor
- Auto-protetive device
- Balanced heavy-duty fan blade
- Temperature&humidity sensor evicce optional



KCV-35AS



KCV-45AS



KCV-60AS

Model: KCV-35AS/KCV-45AS/KCV-60AS
Max air airflow: 35000~60000m³/h
Power/Current: 7.5~15.0kw/15.4~30.3Amp
Voltage/Frequency: 380~440V/50-60Hz
Fan style: Centrifugal-fan/steel blowr wheel
Wind speed: 1-High
Control type: LCD panel
Noise level: ≤ 88 dB(A)
Ducting distance: 50~100M
Net Weight: 450KG/580KG/650KG
Product size: 1800*1800*1400mm
 2000*2000*1700mm



- Water shortage protection & alarm
- Stainless steel bottom base, top cover and stand column, plastic cooling pad frame with dust filters and cooling pads-5090
- Efficient fan motor-IP55, Grade F
- Auto-protetive device
- Balanced heavy-duty steel fan wheel
- Powder-painted, corrosion resistant stainless steel in 0.8-1.2mm thick



KCV-36DS

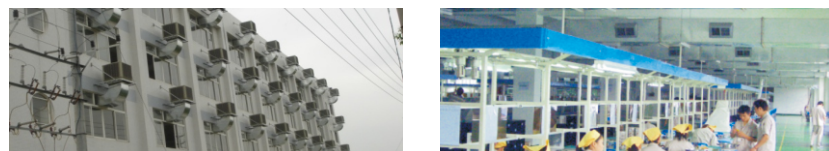


KCV-36AS



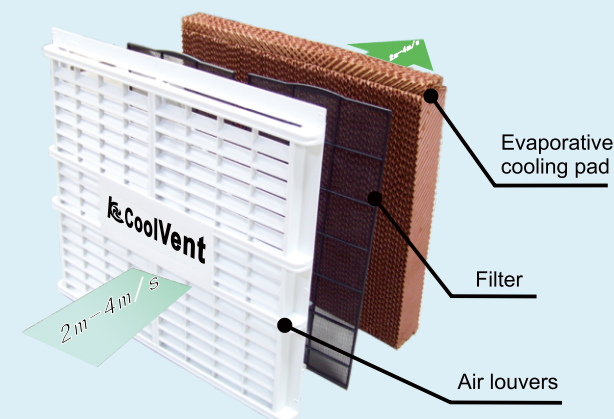
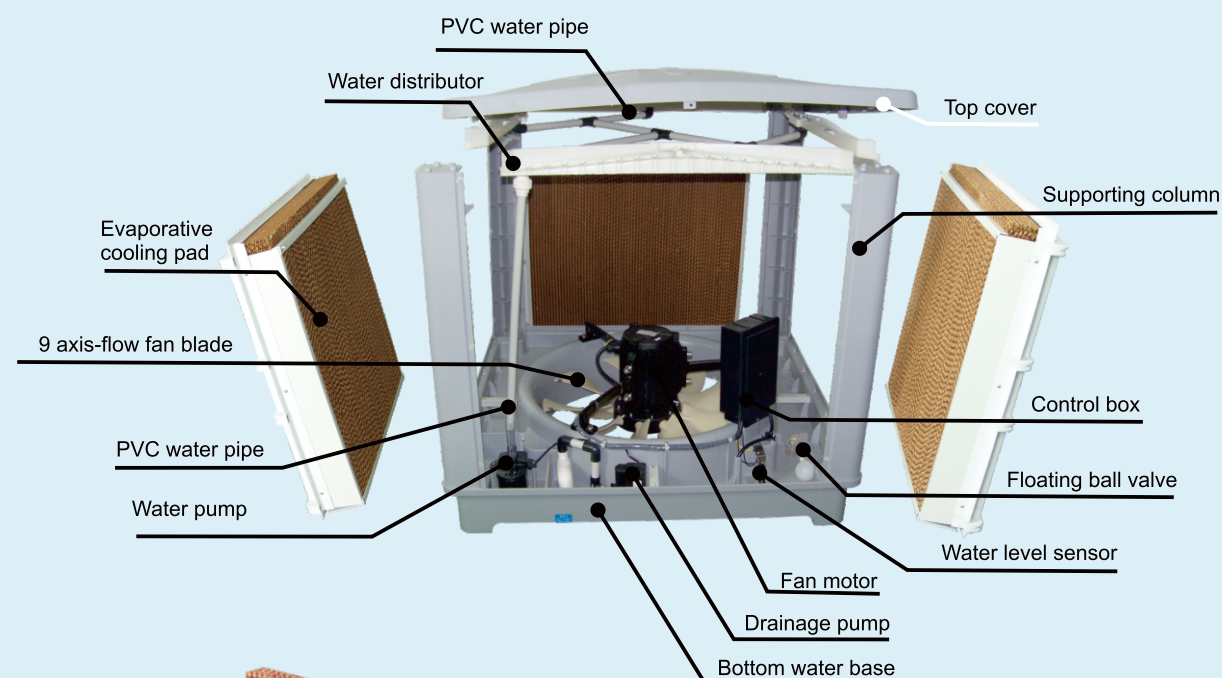
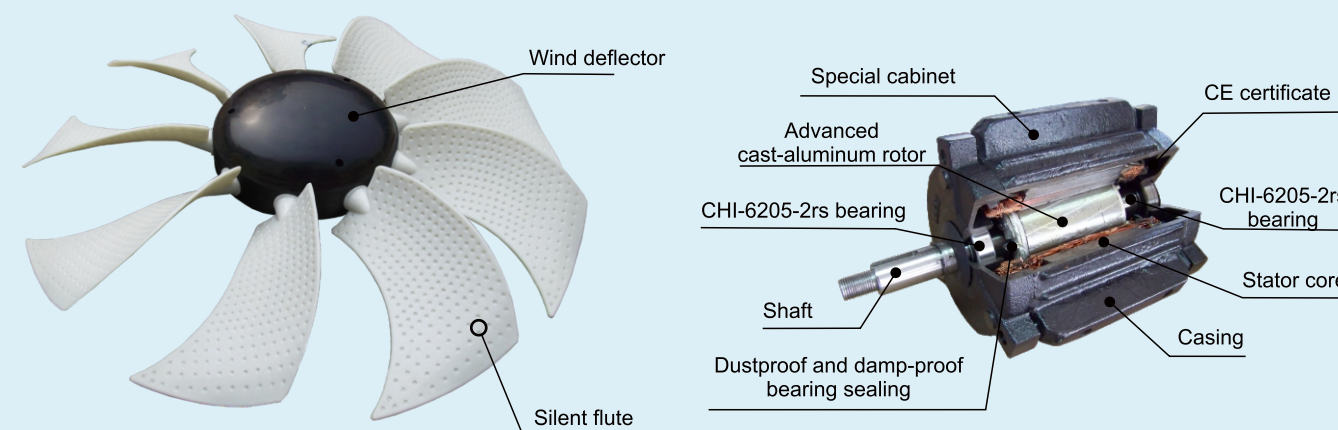
KCV-36BS

Model: KCV-36DS/KCV36AS/KCV36BS
Max air airflow: 36000m³/h
Power/Current: 3.0kw/6.5Amp
Voltage/Frequency: 380-415V/50-60Hz
Fan style: Alloy 6-blade Fan/Aixal-flow
Wind speed: 1-High
Control type: Remote control/LCD panel
Noise level: ≤88dB(A)
Ducting distance: 30-35 meters
Air pressure: 250Pa
Net Weight: 50KG
Product size: 1500*1500*H1350mm



- Water shortage protection & alarm
- Stainless steel bottom base, top cover and stand column, plastic cooling pad frame with dust filters and cooling pads-5090
- Efficient fan motor-IP55,Grade F
- Auto-protetive device
- Balanced heavy-duty steel fan wheel
- Powder-painted, corrosion resistant stainless steel in 0.8-1.2mm thick

Explosive View



TECHNICAL PARAMETERS OF EVAPORATIVE AIR COOLER

型号 Model	风量Max Airflow (m³/h)	风叶类型 Fan style	电压频率Voltage /Frequency(V/Hz)	功率 power(kW)	电流Working current(A)	水箱容量Water tank capacity(L)	耗水量Water Consumption rate(L/h)	产品尺寸 Product size L×W×H(mm)	风口尺寸Size of air outlet L×H(mm)	噪音Noise dB(A)	净重Net weight(kg)	适用面积Effective area(m²)
SCF-75SY	7500	Axial-flow	220/50	0.28	1.27	120	8-10	910×480×1350	600×640	≤65	36	20-40
SCF-130SY	13000	Axial-flow	220/50	0.55	2.6	90	8-10	900×560×1480	620×630	≤65	47	30-50
SCF-180SY	18000	Axial-flow	220/50	1.1	5	120	8-12	1080×1180×1880	705×695	≤72	98	60-80
SCF-18AY	18000	Axial-flow	380V 3N~	0.75	2.1	120	8-12	1100×1100×1650	700×700	≤68	95	60--80
SCF-20AY	20000	Axial-flow	380V 3N~	1.1	2.7	100	8-12	1100×1100×1920	700×420	≤70	90	80-100
SCF-30AY	30000	Axial-flow	380V 3N~	2.2	5.6	350	10-15	1260×1260×2450	850×400	≤72	105	100-150
SCF-20AYS	20000	Axial-flow	220V 1N~	0.37	1.0	118	10-15	1160×780×1210	800×780	≤68	80	60-80
SCF-25AYS	25000	Axial-flow	380V 3N~	0.55	2.7	136	10-15	1370×780×1320	955×955	≤68	140	80-100
SCF-35AYS	35000	Axial-flow	380V 3N~	0.75	2.1	170	10-15	1480×860×1530	1105×1105	≤70	140	120-150
SCF-40AYS	40000	Axial-flow	380V 3N~	1.1	2.7	190	15-20	1640×860×1690	1265×1265	≤70	150	120-150
SCF-18DS	18000	Axial-flow	380V 3N~	1.1	2.7	25	15-20	1030×1030×930	670×670	≤68	70	80-100
SCF-18DS/BP	18000	Axial-flow	220V~/50	1.1	5	25	15-20	1030×1030×930	670×670	≤68	70	80-100
SCF-18AS	18000	Axial-flow	380V 3N~	1.1	2.7	25	15-20	1030×1030×930	670×670	≤68	70	80-100
SCF-18AS/BP	18000	Axial-flow	220V~/50	1.1	5	25	15-20	1030×1030×930	670×670	≤68	70	80-100
SCF-18BS	18000	Axial-flow	380V 3N~	1.1	2.7	25	15-20	1030×1030×930	670×670	≤68	70	80-100
SCF-18BS/BP	18000	Axial-flow	220V~/50	1.1	5	25	15-20	1030×1030×930	670×670	≤68	70	80-100
SCF-23DS	23000	Axial-flow	380V 3N~	1.3	3.1	25	15-20	1030×1030×930	670×670	≤68	75	80-100
SCF-23DS/BP	23000	Axial-flow	220V~/50	1.3	6.0	25	15-20	1030×1030×930	670×670	≤68	75	80-100
SCF-23AS	23000	Axial-flow	380V 3N~	1.3	3.1	25	15-20	1030×1030×930	700×690	≤68	75	80-100
SCF-23AS/BP	23000	Axial-flow	220V~/50	1.3	6.0	25	15-20	1030×1030×930	700×690	≤68	75	80-100
SCF-23BS	23000	Axial-flow	380V 3N~	1.3	3.3	25	15-20	1030×1030×930	670×670	≤68	75	80-100
SCF-23BS/BP	23000	Axial-flow	220V~/50	1.3	6.0	25	15-20	1030×1030×930	670×670	≤68	75	80-100
SCF-25DS	25000	Axial-flow	380V 3N~	1.5	3.5	25	15-20	1030×1030×1100	670×670	≤68	80	100-150
SCF-25DS/BP	25000	Axial-flow	220V~/50	1.5	8.0	25	15-20	1030×1030×1100	670×670	≤68	80	100-150
SCF-18D	18000	Axial-flow	380V 3N~	1.1	2.7	25	15-20	1080×1080×980	670×670	≤72	69	100-150
SCF-18D/BP	18000	Axial-flow	220V~/50	1.1	5	25	15-20	1080×1080×980	670×670	≤72	69	100-150
SCF-18A	18000	Axial-flow	380V 3N~	1.1	2.7	25	15-20	1080×1080×980	700×690	≤72	71	100-150
SCF-18A/BP	18000	Axial-flow	220V~/50	1.1	5	25	15-20	1080×1080×980	700×690	≤72	71	100-150
SCF-18B	18000	Axial-flow	380V 3N~	1.1	2.7	25	15-20	1080×1080×1040	670×670	≤72	78	100-150
SCF-18B/BP	18000	Axial-flow	220V~/50	1.1	5	25	15-20	1080×1080×1040	670×670	≤72	78	100-150
SCF-23D	23000	Axial-flow	380V 3N~	1.3	3.1	25	15-20	1100×1080×1080	670×670	≤68	60	100-150
SCF-23D/BP	23000	Axial-flow	220V~/50	1.3	6.0	25	15-20	1100×1080×1080	670×670	≤68	60	100-150
SCF-23A	23000	Axial-flow	380V 3N~	1.3	3.1	25	15-20	1100×1080×1080	700×690	≤68	60	100-150
SCF-23A/BP	23000	Axial-flow	220V~/50	1.3	6.0	25	15-20	1100×1080×1080	700×690	≤68	60	100-150
SCF-23B	23000	Axial-flow	380V 3N~	1.3	3.1	25	15-20	1100×1080×1080	670×670	≤68	60	100-150
SCF-23B/BP	23000	Axial-flow	220V~/50	1.3	6.0	25	15-20	1100×1080×1080	670×670	≤68	60	100-150
SCF-30D	30000	Axial-flow	380V 3N~	3.0	6.5	50	25-30	1250×1250×1200	800×800	≤72	90	120-150
SCF-30D/BP	30000	Axial-flow	220V~/50	3.0	7.9	50	25-30	1250×1250×1200	800×800	≤72	90	120-150
SCF-30B	30000	Axial-flow	380V 3N~	3.0	6.5	50	25-30	1250×1250×1200	800×800	≤72	90	120-150
SCF-30B/BP	30000	Axial-flow	220V~/50	3.0	7.9	50	25-30	1250×1250×1200	800×800	≤72	90	120-150
SCF-50B	50000	Axial-flow	220V~/50	5.0	13.0	50	25-30	1450×1450×1380	900×900	≤75	110	150-200
KCV-18BL/BP	18000	Centrifugal	220V~/50	1.5	8	25	25-30	1080×1080×950	450×420	≤79	114	150-200
KCV-18AL/BP	18000	Centrifugal	220V~/50	1.5	8	25	25-30	1080×1080×980	450×420	≤79	110	150-200
KCV-18DL/BP	18000	Centrifugal	220V~/50	1.5	8	25	25-30	1080×1080×980	450×420	≤79	104	150-200
KCV-18BL	18000	Centrifugal	380/50	1.5	3.5	25	25-30	1080×1080×950	450×420	≤79	114	150-200
KCV-18AL	18000	Centrifugal	380/50	1.5	3.5	25	25-30	1080×1080×980	450×420	≤79	110	150-200
KCV-18DL	18000	Centrifugal	380/50	1.5	3.5	25	25-30	1080×1080×980	450×420	≤79	104	150-200
KCV-30AS	30000	Axial-flow	380/50	2.2	5.6	65	65	1500×1500×1350	800×800	≤85	175	200-250
KCV-30BS	30000	Axial-flow	380/50	2.2	5.6	65	65	1500×1500×1350	800×800	≤85	170	200-250
KCV-30DS	30000	Axial-flow	380/50	2.2	5.6	65	65	1500×1500×1350	800×800	≤85	170	200-250
KCV-36AS	36000	Axial-flow	380/50	3.0	6.5	65	85	1500×1500×1350	800×800	≤88	175	200-300
KCV-36BS	36000	Axial-flow	380/50	3.0	6.5	65	85	1500×1500×1350	800×800	≤88	170	200-300
KCV-36DS	36000	Axial-flow	380/50	3.0	6.5	65	85	1500×1500×1350	800×800	≤88	170	200-300
KCV-25AS	25000	Centrifugal	380-415/50	5.5	11.6	65	60	1500×1500×1350	620×570	≤90	300	200-250
KCV-35AS	35000	Centrifugal	380-415/50	7.5	15.4	70	80	1800×1800×1400	782×700	≤91	450	200-300
KCV-45AS	45000	Centrifugal	380-415/50	11.0	25.4	100	120	2000×2000×1700	862×770	≤93	580	300-450
KCV-60AS	60000	Centrifugal	380-415/50	15.0	30.3	100	150	2000×2000×1700	926×834	≤95	650	350-550
KCV-85AS	85000	Centrifugal	380-415/50	37.0	70.0	130	600	2770×2370×2200	1127×1124	≤110	980	400-750

D: Down discharge 底出风

A: Side discharge 侧出风

B: Top/Up discharge 上出风

S: Stainless steel 不锈钢

BP: Inverter type, single phase 变频

All specifications mentioned are under test conditions, actual performance depends on units and ambient conditions.

Due to our continuous endeavor for product improvement, the specifications are subject to change without any Prior notice.

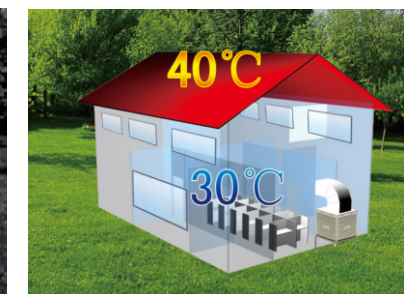
Accessories	Description	Accessories	Description	Accessories	Description
	PVC flexible duct		PVC flexible duct		PVC flexible pipe
	Cooling media		Cooling media		Aluminum frame
	Water pump		Water pump		Fan blade
	Fan blade		Fan blade		Fan blade
	Fan motor		Fan motor		Fan motor
	Fan motor		Fan motor		Drain valve
	Safety mesh		Manual diffuser		Electric diffuser
	Temperature & Humidity sensor		Elbow		4-way diffuser
	Air diffuser		Air diffuser		8-way diffuser
	Air diffuser		Air diffuser		Filter mesh
	Control panel		PCBA		Fan blade



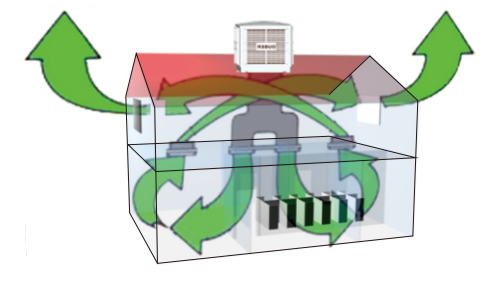
Model selection



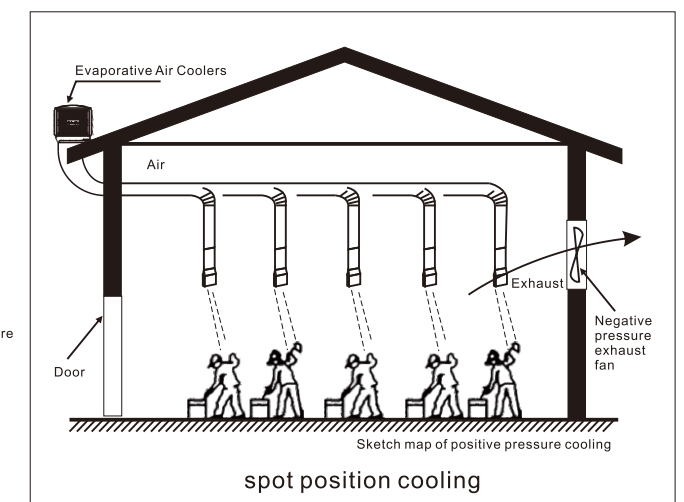
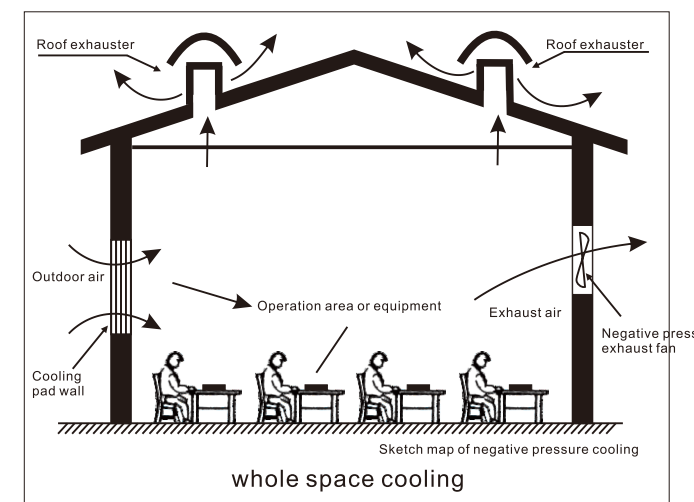
Before installation



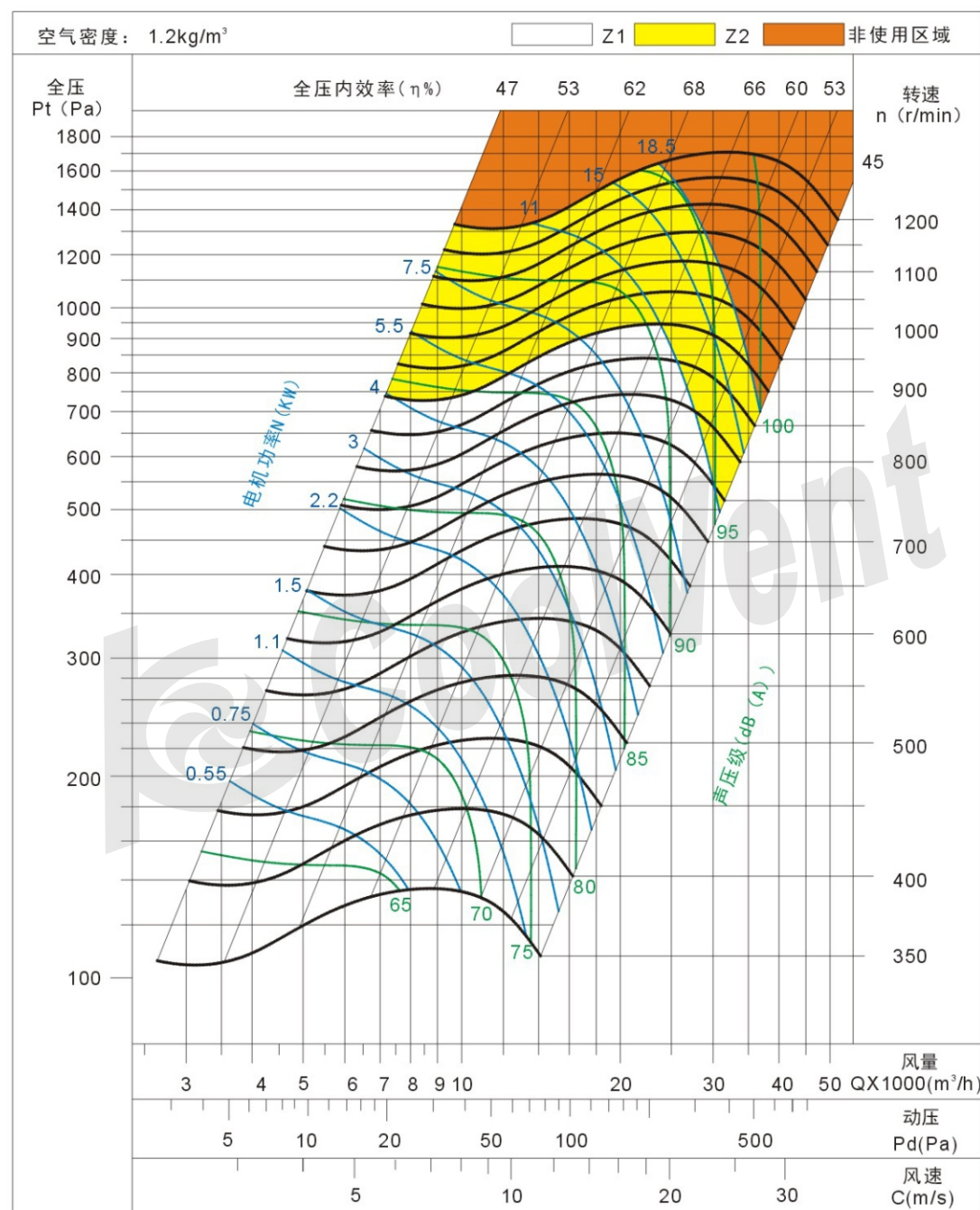
After installation



Indoor air circulation

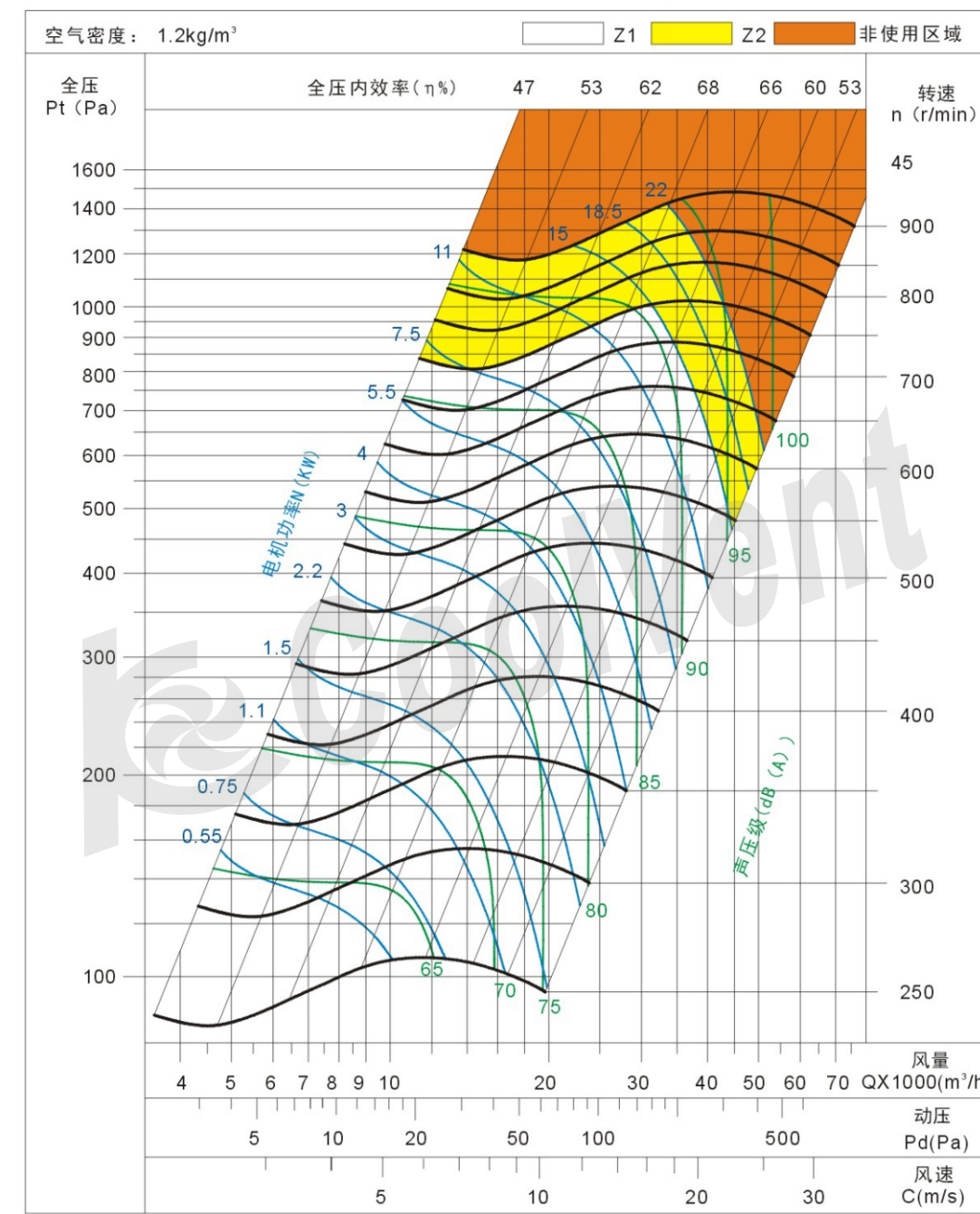


Fan Performance Curve for KCV25 series 风机性能曲线



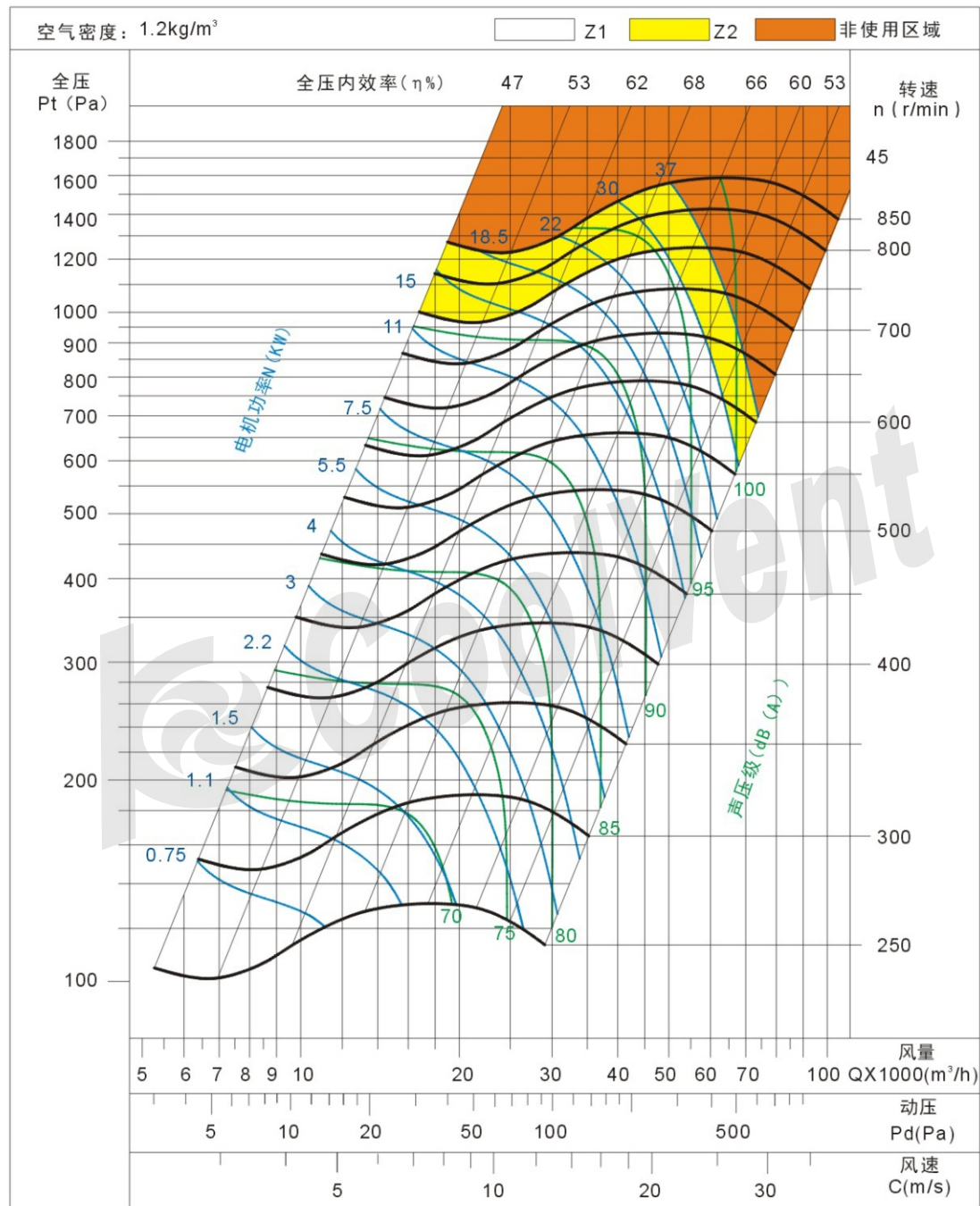
以上性能曲线是按自由进气，管道出气安装的。性能曲线不包括空气流道上附件的影响。

Fan Performance Curve for KCV35 series 风机性能曲线



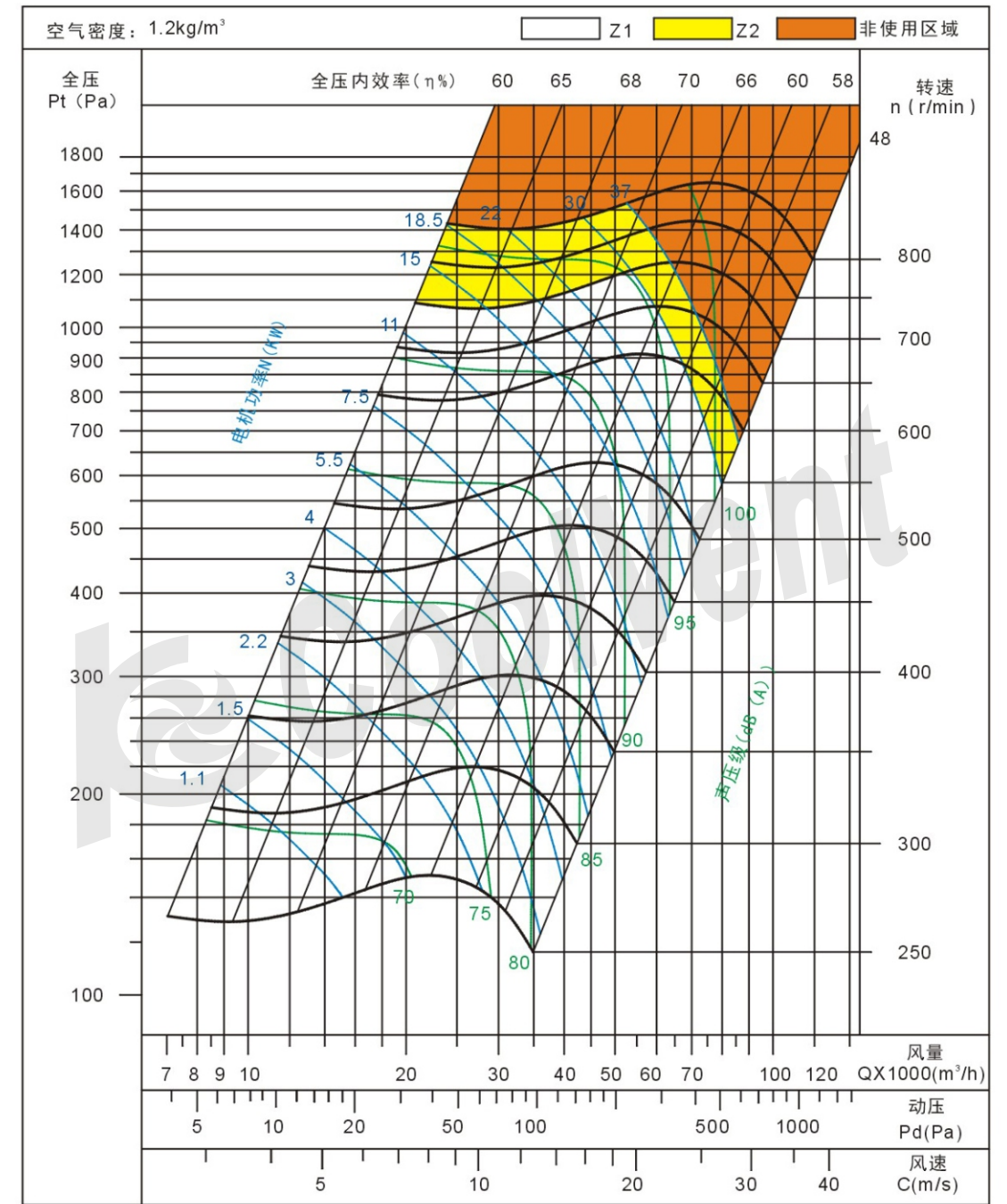
以上性能曲线是按自由进气，管道出气安装的。性能曲线不包括空气流道上附件的影响。

Fan Performance Curve for KCV45 series 风机性能曲线

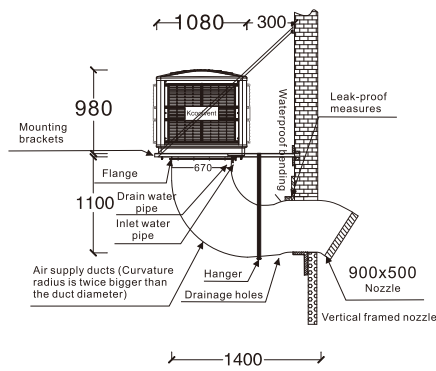


以上性能曲线是按自由进气，管道出气安装的。性能曲线不包括空气流道上附件的影响。

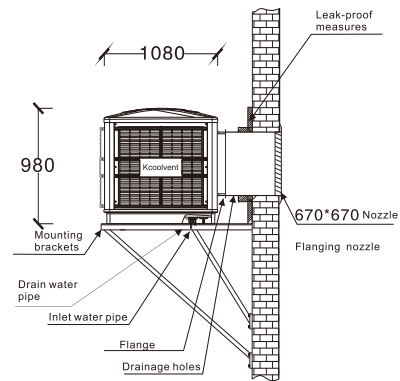
Fan Performance Curve for KCV60 series 风机性能曲线



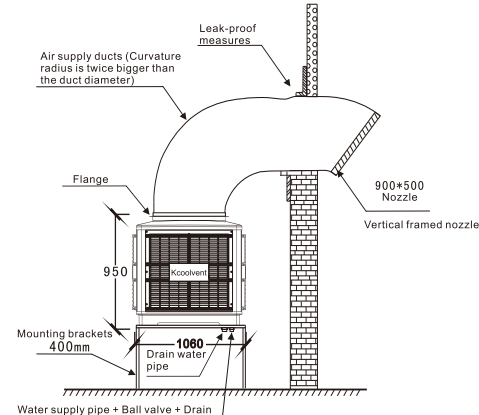
以上性能曲线是按自由进气，管道出气安装的。性能曲线不包括空气流道上附件的影响。



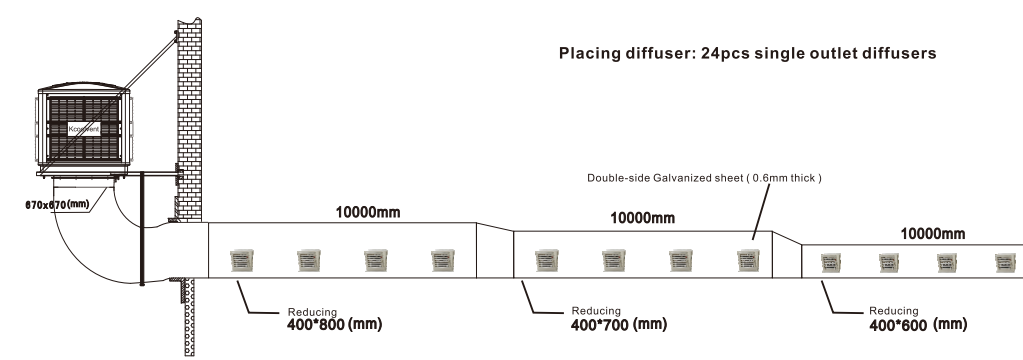
Installation Instruction of Down Discharge Axis-flow Series



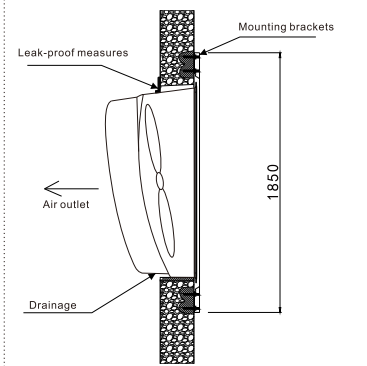
Installation Instruction of Side Discharge Axis-flow Series



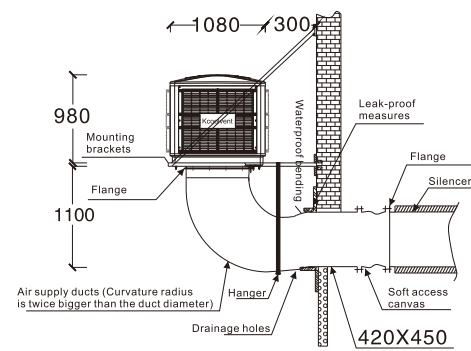
Installation Instruction of Top Discharge Axis-flow Series



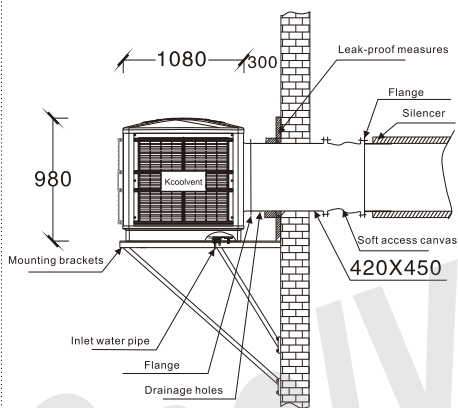
Installation instruction of Axis-flow series and ducts



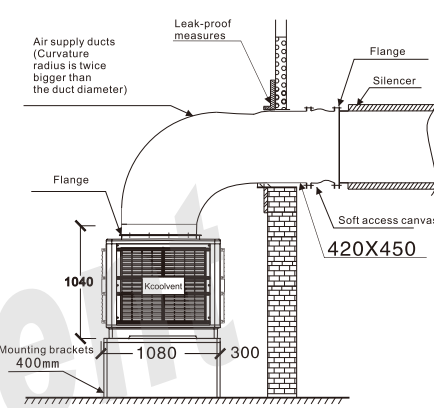
Installation instruction of Negative pressure fan series



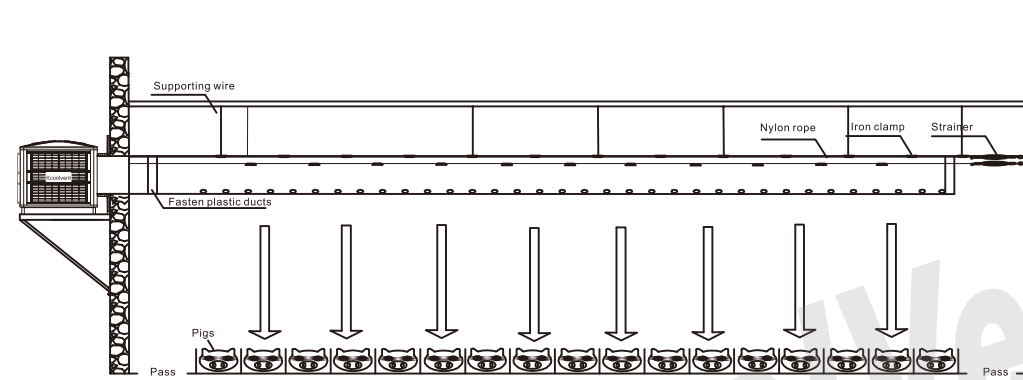
Installation Instruction of Down Discharge Centrifugal Fan Series



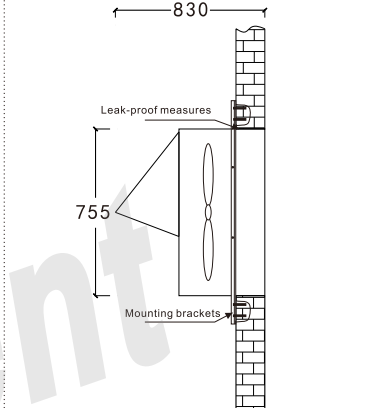
Installation Instruction of Side Discharge Centrifugal Fan Series



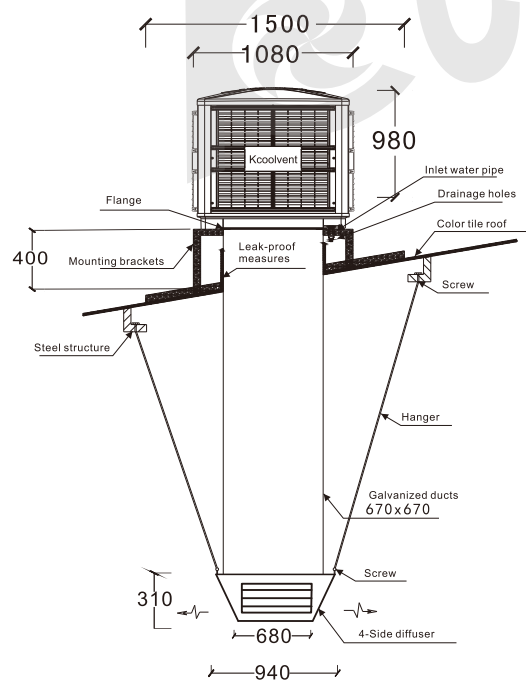
Installation Instruction of Top Discharge Centrifugal Fan Series



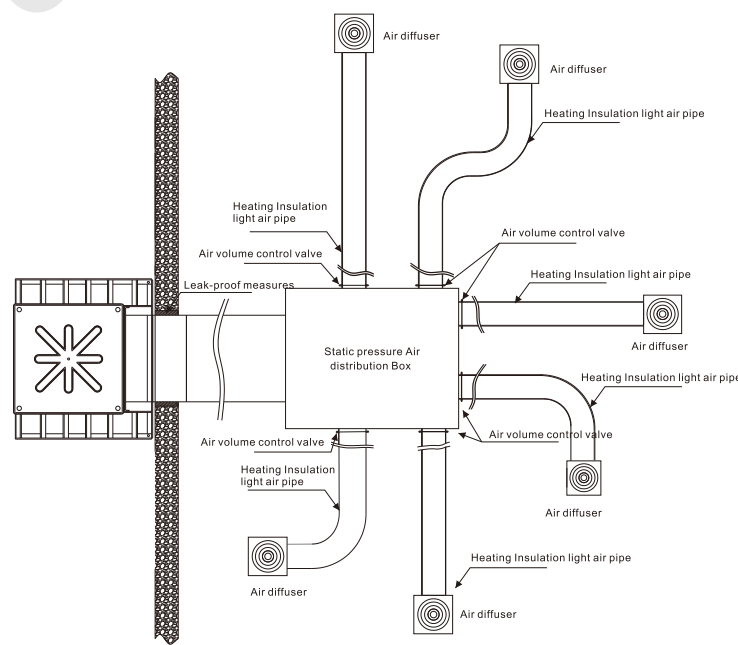
Installation instruction of Axis-flow series and plastic ducts for Livestock



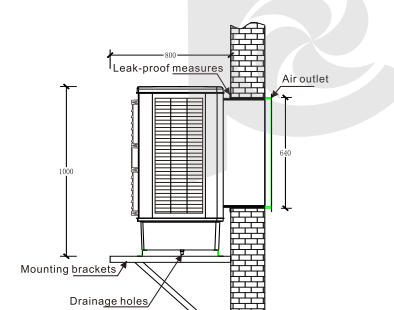
Installation instruction of Powerful positive pressure fan series



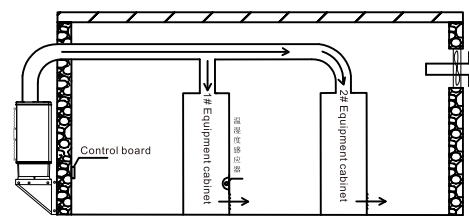
Installation Instruction of Down Discharge Axis-flow Series with 4-side / 8-side diffuser



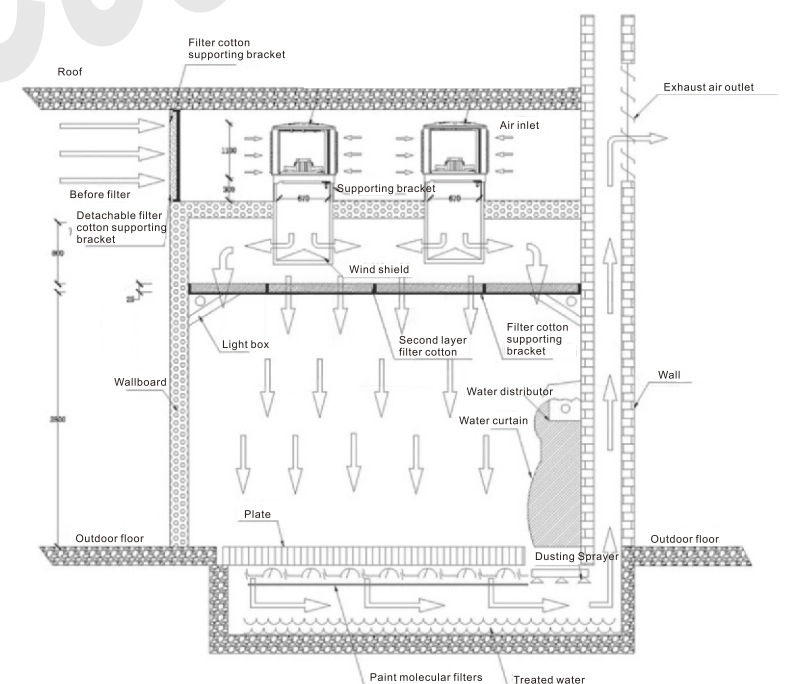
Installation instruction of Centrifugal fan series and ducts



Installation instruction of Window type series



Installation instruction of Equipment cabinet cooling



Installation instruction of Full pressure & Dust-free paint workshop